

HEAT & GLO®



DESIGNED | *to inspire*

6000/8000 C SERIES
Direct Vent Gas Fireplaces

6000/8000 C SERIES

Innovation in Technology, Design and Safety

The Heat & Glo 6000 and 8000 C Series lead the industry in technology, design and safety since their introduction in 1987.

Today, the C Series continue to push the boundaries of fire—in an array of sizes and styles. Read on to explore how “No One Builds A Better Fire.”



Cover: 6000CLX shown with chateau forge front, portico mantel and absolute black granite.

Above: 8000CLX shown with chateau deluxe front in new bronze and st. cloud shelf mantel.

6000/8000 C SERIES



TECHNOLOGY

C Series fireplaces provide substantial heat production, up to 50% flame and heat output turndown and high-efficiency performance. Textured brick interiors showcase robust fires.

6000CL shown above with galleria front in new bronze, sonoma mantel and caledonia granite.



DESIGN

Create a unique look with an expansive variety of options; LED accent lighting, detailed log sets or a heat-circulating fan. Multiple sizes and models offer unique placement opportunities to accent your own style.

8000CL shown above with halston front in black and biltmore cast mantel in machiatio.



SAFETY

Direct Vent technology ensures optimal indoor air quality, the IntelliFire™ Plus Ignition System provides sound ignition, and standard safety screens offer added protection.

8000CL shown above with clean face kit and biltmore mantel in beige.

LEADING WITH INNOVATION

Direct Vent Technology removes 100% of combustion exhaust and odors outside of the home. These sealed fireplaces provide optimal heat, conserve energy and ensure clean, safe indoor air quality.

IntelliFire Plus™ Ignition System constantly monitors ignition, ensures safe functioning and conserves up to \$10/month in energy costs.

LED Accent Lighting increases fire glow and effects with or without flames, offers year-round usage and up to a 10-year life cycle.

Zone Heating allows you to heat the rooms you live in most, and save money. Turn down your central furnace, and let an energy-efficient C Series fireplace provide the heat you need.

6000/8000 C SERIES

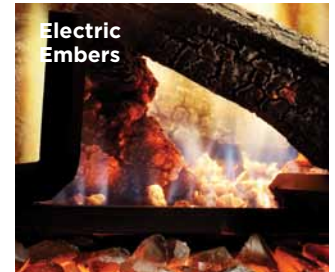


6000/8000 C SERIES

6000/8000CLX

The CLX is the flagship model of the C Series. These fireplaces feature large, intense flames, intricate log sets, LED accent lighting and illuminated embers, a textured brick interior, advanced wireless controls, and a variable-speed fan kit.

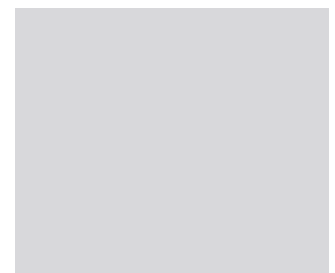
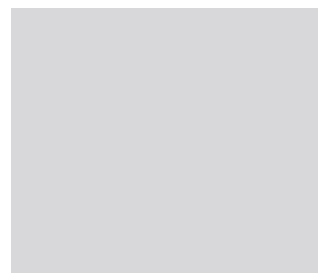
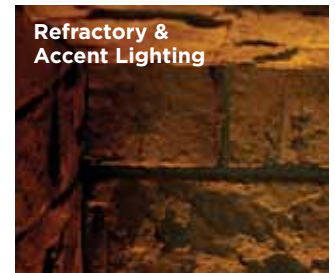
- A. 6000CLX shown with chateau forge front, portico mantel and absolute black granite.
- B. 8000CLX shown with chateau deluxe front in new bronze and st. cloud shelf mantel.



6000/8000CL

CL models deliver impressive flames and many other fireplace upgrades, including: LED accent lighting, a textured brick interior and advanced wireless controls.

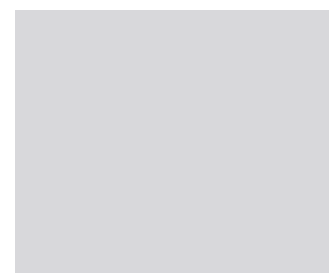
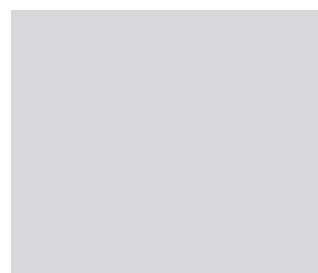
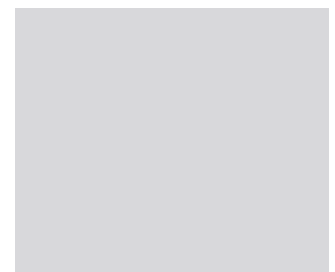
- C. 6000CL shown with galleria front in new bronze, sonoma mantel and caledonia granite.
- D. 8000CL shown with halston front in black and biltmore cast mantel in machiatto.



6000/8000C

These models provide high-efficiency performance and deliver bold fireside experiences. Create your ideal hearth with large flames, powerful heat output and endless finishing options.

- E. 6000C shown with arcadia front in black, parsons mantel in custom stained alder and green granite.
- F. 8000C shown with folio front in black, fairfield mantel in custom painted finish and absolute black granite.



6000/8000 C SERIES

STANDARD FEATURES

There is a C Series fireplace for you. Enjoy bold fires and high-efficiency performance with all three lines. The 8000 line offers the same look and features, with larger sizes and heat output.

Model	BTUs	50% Flame & Heat Turndown	100% Turndown (Via Accent Lighting)	IntelliFire Plus RC300 Wireless Control	Brick Refractory	LED Accent Lights	AFUE Heater Rated	Fan (160 cfm)	LED Illuminated Embers	Premium Logset
6000C	30,000	•								
6000CL	35,000	•	•	•	•	•	•			
6000CLX	40,000	•	•	•	•	•	•	•	•	•
8000C	35,000	•								
8000CL	40,000	•	•	•	•	•	•			
8000CLX	45,000	•	•	•	•	•	•	•	•	•

FRONTS

Choose a front and finish to create a unique finished look. More than 20 combinations accent your own unique style.



Arcadia Front
ARCADIA-6, ARCADIA-8



Folio Front (Inside Fit)
FOLIO-36, FOLIO-42



Chateau Deluxe Front
CHAD-6, CHAD-8



Galleria Operable Doors
GALLERIA-6, GALLERIA-8



Halston Operable Doors
HALSTON-6, HALSTON-8



Chateau Forge Front
*Available in Hammered Steel only
CHAF-6, CHAF-8



Clean Face Kit
CF-6000, CF-8000

FINISHES

Three rich finishes complete your custom look.



Black



New Bronze



Graphite

REFRACTORY OPTIONS

Two detailed brick interiors provide intricate detail, a traditional masonry appearance and come standard on CLX and CL models.



Stratford



Tahoe Tan

DIRECT VENT TECHNOLOGY

Direct Vent fireplaces remove 100% of combustion exhaust and odors outside of the home. These sealed fireplaces provide optimal heat, conserve energy and ensure clean, safe indoor air quality.

To learn more about Direct Vent Technology, scan the code to the right with your smartphone, or visit heatnglo.com.



INTELLIFIRE PLUS IGNITION SYSTEM & WIRELESS CONTROLS



The IntelliFire™ Plus Ignition System (IPI Plus) is an advanced intermittent pilot ignition system with memory settings and a programmable wireless control. IPI Plus constantly monitors ignition, ensures safe functioning and conserves up to \$10/month in energy costs.

To learn more about IntelliFire Technology, scan the code to the right with your smartphone, or visit heatnglo.com.



INTELLIFIRE PLUS RC300 The RC300 incorporates an LCD screen, intuitive menus and large control buttons. This wireless control offers flexibility to either mount on the wall or use as a remote. This control comes standard with CL and CLX models.

MODEL: RC300-HNG

FEATURES: Auto Battery Backup, Pilot Activation, On/Off, 5 Step Flame Height, Fan Speed (Auxiliary 1), Two Additional Auxiliary Functions, Room Temperature Readout, Thermostat Mode, Timer Mode, Child Lock, Wall Docking Station



INTELLIFIRE PLUS RC200 Quickly and easily control your fire—this control performs as a remote or mounted on the wall.

MODEL: RC200-HNG

FEATURES: Auto Battery Backup, Pilot Activation, On/Off, 5 Step Flame Height, Fan Speed, Child Lock, Wall Docking Station



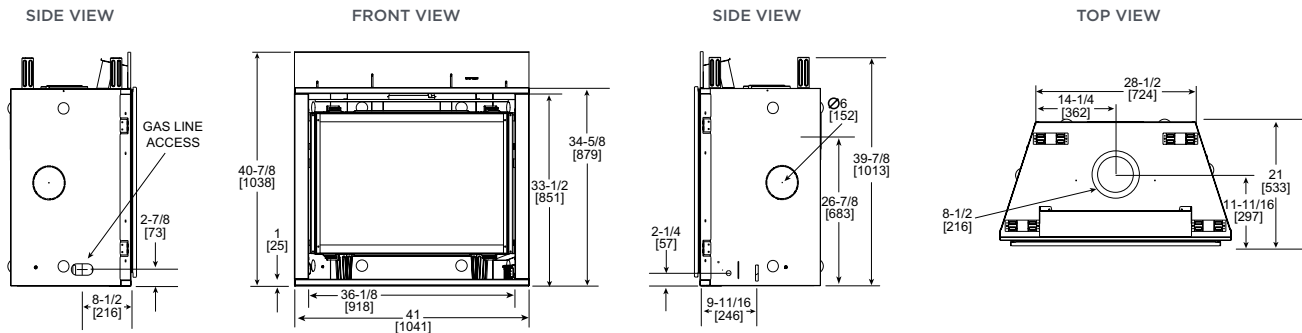
INTELLIFIRE PLUS RC100 The RC100 is designed for sleek placement on a wall. Flip the switch and relax around a beautiful fire.

MODEL: RC100-HNG

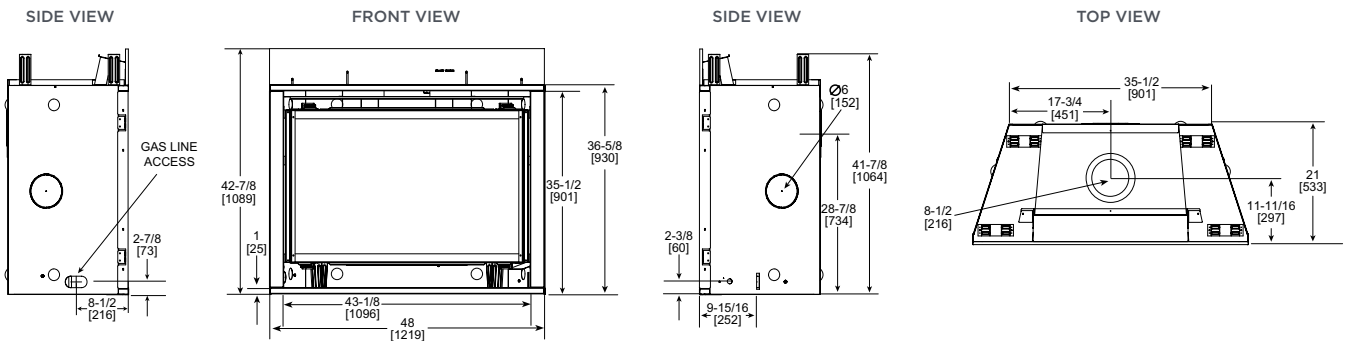
FEATURES: On/Off

6000/8000 C SERIES SPECIFICATIONS

MODEL	FRONT WIDTH		BACK WIDTH		HEIGHT		DEPTH		VIEWING AREA BTU/HOUR INPUT	
	UNIT	FRAMING	UNIT	FRAMING	UNIT	FRAMING	UNIT	FRAMING		
6000CLX 6000CL 6000C	41	42	28-1/2	42	39-7/8	40-1/8	21	22	36 x 24-3/4	CLX - 40,000 CL - 35,000 C - 30,000



MODEL	FRONT WIDTH		BACK WIDTH		HEIGHT		DEPTH		VIEWING AREA BTU/HOUR INPUT	
	UNIT	FRAMING	UNIT	FRAMING	UNIT	FRAMING	UNIT	FRAMING		
8000CLX 8000CL 8000C	48	49	35-1/2	49	41-7/8	42-1/8	21	22	42-1/2 x 26-3/4	CLX - 45,000 CL - 40,000 C - 35,000



Dimensions above are in inches. Reference dimensions only. We recommend measuring individual units at installation. Assumes the use of 1/2" drywall. NOTE: Combustible material should not be installed over the face. Make sure you do NOT cover the decorative door opening.

Refer to installation manual for detailed specifications on installing this product. Heat & Glo reserves the right to update units periodically. The flame and ember appearance may vary based on the type of fuel burned and the venting configuration used. Pictures in this brochure are not a true representation of the fireplace and/or flames.

U.S. EFFICIENCIES

Steady State - Since most homeowners use their fireplaces for an extended time while they are in the room, Steady State measures how efficiently your fireplace converts fuel to heat once it is warmed up and running in a "steady state".

AFUE - AFUE rating is more typically used with appliances, like your furnace, that continually cycle on and off to maintain a constant temperature.

CANADA EFFICIENCIES

EnerGuide (CSA P.4.1-02) - EnerGuide is a rating used in Canada to measure annual fireplace efficiency.

Rating	6000 CLX	6000 CL	6000 C	8000 CLX	8000 CL	8000 C
Steady State	83%	82%	81%	84%	83%	83%
AFUE	65%	64%	60%	66%	65%	63%

Rating	6000 CLX	6000 CL	6000 C	8000 CLX	8000 CL	8000 C
EnerGuide (CSA P.4.1-02)	67%	68%	64%	68%	65%	67%

For complete information on this model, please contact us at:

HEAT & GLO
No one builds a better fire

A brand of Hearth & Home Technologies®
7571 215th Street West, Lakeville, MN 55044
Web: heatnglo.com
Phone: (888) 427-3973 (952) 985-6000
E-mail: info@heatnglo.com

- facebook.com/HeatandGlo
- twitter.com/HeatandGlo
- youtube.com/HeatandGlo

LIMITED LIFETIME WARRANTY*

The strongest in the industry, Heat & Glo provides a limited lifetime warranty on the most important aspects: firebox and heat exchanger.

*For full warranty details, go to www.heatnglo.com.

Fireplace glass and other surfaces get extremely HOT and can cause severe burns if touched. Do not remove the protective safety screen from the front of the glass. Keep a safe distance away. To learn more visit www.heatnglo.com/fireplacesafety

HNG-1102U-0513

